

Village Square Series

WALKWAY LIGHTING

LM79
LM80

IP64



PROJECT INFORMATION

Project Name _____

Catalog No. _____ Date _____

DESCRIPTION

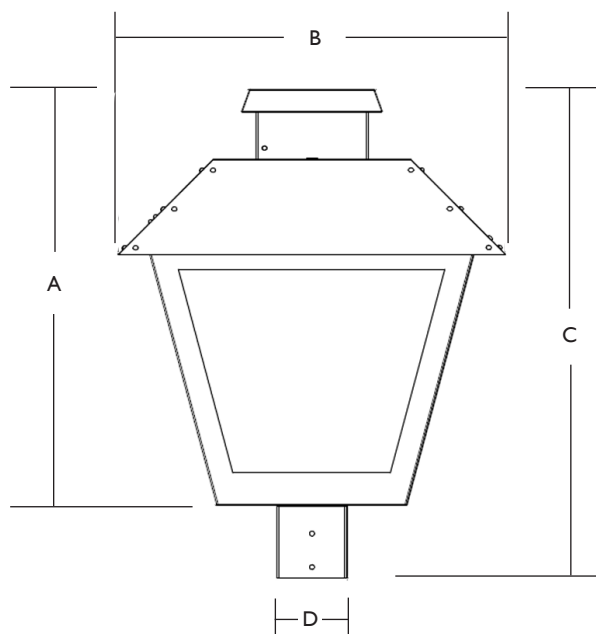
The ActiveLED® Village Square Series is an innovative self-contained fixture with a nostalgic feel. Designed to replace existing inefficient, legacy post-top fixtures with high-wattage lamp assemblies, it is ideal for residential walkways, pathways, malls and shopping centers. A Dark Sky compliant fixture delivering the maximum possible light to the surrounding public space, while eliminating light pollution to adjacent properties.

Applications include: Malls, Shopping Centers, Walkways, Trails, Driveways, Village Squares and Residential Pathways.



Village Square Series

DIMENSIONS



FEATURES

- ThermalDRAW™ Cooling Technology - Patented cooling technology ensures LED components will equal or exceed warranty.
- Warranty - 10 Year Warranty on LED elements, fixture housing, and LED Driver. See page 2 for additional warranty information.
- Dusk/Dawn Sensor - Optional photocell allows fixture to automatically turn on or off based on daylight detection.

A	B	C	D
18.6"	17.3"	21.8"	3.1"
47.24cm	43.94cm	55.37cm	7.87cm

LIGHT OUTPUT

1924 lm

WATTS

25.5 W

LUMENS per WATT

75.5 lm/W

LIGHT COLOR (CCT)

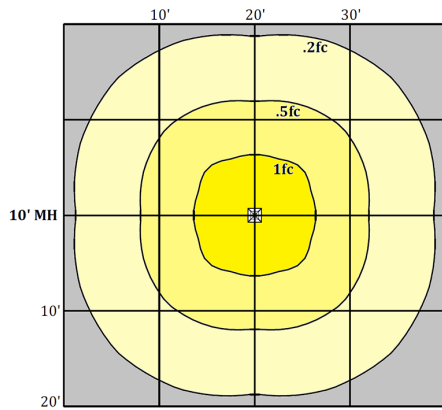
4,740 K

ActiveLED®
Energy Efficient Lighting and Controls



NOTE: Lighting Facts shown for Village Square Series, 24W only.
For more Lighting Facts, visit lightingfacts.com for the Label and Label Reference Guide.

PHOTOMETRICS



PERFORMANCE DATA

AMBIENT TEMPERATURES	0 HOURS	45,000 HOURS	90,000 HOURS
77°F (25°C)	1.00	0.99	0.99
104°F (40°C)	1.00	0.98	0.96
131°F (55°C)	1.00	0.96	0.92
140°F (60°C)	1.00	0.95	0.90

Projected Lumen Maintenance (TM-21)

NOTE: Calculated using data collected according to LM-80 lumen maintenance on the LED package.

NOTE: Photometrics shown for Village Square Series, 24W only. Contact company for photometrics on other sizes.

GENERAL SPECIFICATIONS

Input Voltage	Voltage Specific, 100-277 Volts AC, 50/60Hz	LED Optics	IP64 rated, precision extruded aluminum reflector/heat sink, thermally bonded LEDs, borosilicate glass lens w/silicone sealing. Patented thermal management mounting system
Input Power	26 Input Watts 24 LED Watts	CCT	2700K, 3000K, 3500K, 4000K, or 5000K
Power Factor	> 0.86 (at ~120 Volts)	Housing	Electroplated galvanized steel for enclosure, .250 thick sheet aluminum for heat sink, stainless steel hardware
THD	Total Harmonic Distortion (THD) <28%	Finish	Powder coated after fabrication
Driver	Integral driver with aluminum housing, integral heatsink	Dimensions	18.6" fixture height plus 3.2" mounting, 17.3" square at top (47.2 + 8.3 x 44.0 cm)
Operating Temperature	-58° F to 149° F (-50° C to 65° C)	Weight	28 pounds (12.7 kg)
Lumen Lifetime	L90/90K Hrs @ 60° C (90,000 Hrs with 90% Luminous Flux)		

WARRANTY

Ten (10) Year Warranty - LEDs, Fixture, and Driver shall conform to its published specifications under normal usage and operating conditions including "no light loss" of more than 10% at the end of the period. LEDs will produce at least 90% of their initial light output with no color shift after 90,000 hours of operation.

LISTINGS AND TESTS

CE, suitable for wet locations. B1-U3-G2, RoHS compliant. IP64 Rated optical assembly. LM-79 and LM-80 info available. Conforms to FCC Part 15.19 Subpart B Class A. Made in USA - ARRA Compliant.

FIXTURE ORDERING INFORMATION

Example: VS5I-3-B40R24BK-D

VS5		3	B		R24		D
Style	Voltage	Mount	Diffuser	CCT	Watts	Color	Options
VS5 Village Square Type V light pattern	1 - 100/120 VAC, Single Voltage 60 Hz 2 - 277 VAC, Single Voltage 60 Hz 3 - 100 VAC, Single Voltage 60 Hz 4 - 208 VAC, Single Voltage 60 Hz 5 - 240 VAC, Single Voltage 50 Hz N - None ¹ E - 45/48 VDC Driver ²	3" Post-Top Mount	B Translucent Diffuser	50 5,000K 40 4,000K 35 3,500K 30 3,000K 27 2,700K	R24 24W LED, 26W Max (1924 Lumens) Lumens at 5,000K	SL - Silver BK - Black BR - Brown BZ - Bronze CG - Charcoal CV - Copper Vein WH - White X - Custom	D Dusk to Dawn Sensor

¹ Requires remote driver. Consult factory.

² No AC Support.