

HS Series High Bay Strip

HIGH / LOW BAY LIGHTING

300-480V

100-277V

**LM79
LM80**

IP65



PROJECT INFORMATION

Project Name _____

Catalog No. _____ Date _____

DESCRIPTION

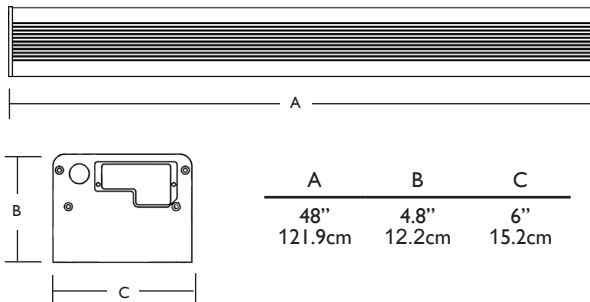
The ActiveLED® HS48 Series High Bay Strip is designed to give a clean, even pattern of light over an extended indoor area from a mounting height of between 15' to 20'. This fixture consumes 50-85 percent less energy than conventional HID lighting and is a reliable light source with a minimum 90,000-hour lumen life (90% Luminous Flux), making it a maintenance free solution for applications where changing lamps and ballasts can be hazardous and expensive. Available in both linear and round LEDs.

Applications include: Gymsnasiums, Warehouses, Manufacturing, and Storage Facilities.



HS48

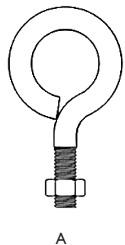
DIMENSIONS



FEATURES

- ActiveREST™ Dimming Technology - Fixture may be automatically dimmed when full light levels are not required. EXAMPLE - Dimming level 40 equates to less than 9% of actual watts being consumed.
- ThermalDRAW™ Cooling Technology - Patented cooling technology ensures LED components will equal or exceed warranty.
- LightSpace® Lighting Controls - Fixture is capable of being programmed and controlled either individually or as part of a lighting zone via remote sensors, switches or building management system (BMS).
- Battery Backup Enabled - This option provides 48V DC support for an Emergency Battery Backup Unit (BBU sold separately) creating an Emergency LED Light Fixture.
- Dusk/Dawn Sensor - Optional photocell allows fixture to automatically turn on or off based on daylight detection.
- IR Receiver Plus Motion - Optional remote passive infrared (PIR) motion sensor with IR receiver for programmable Vacant-to-OFF and Vacant-to-Dim level programming.
- IR Receiver - Optional integral IR sensor only for ON-to-Dim programming.
- Warranty - 10 Year Warranty on LED elements, fixture housing, and LED Driver. See page 2 for additional warranty information.

MOUNTING OPTIONS



A



B

- A. Suspended Eyelets for Suspension from Ceiling
 B. Knuckle Tenon Mounted Middle Back

LIGHT OUTPUT

11,030 Lm

WATTS

98W

LUMENS per WATT

111.8 Lm/W

LIGHT COLOR (CCT)

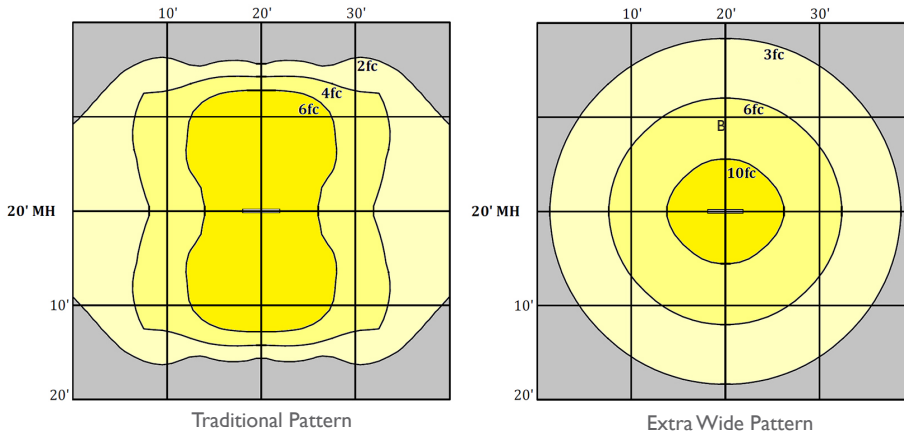
4,733 K

NOTE: Lighting Facts shown for Extra Wide 96W only.
 For more Lighting Facts, visit lightingfacts.com for the Label and Label Reference Guide.

ActiveLED®
 Energy Efficient Lighting and Controls



PHOTOMETRICS



PERFORMANCE DATA

AMBIENT TEMPERATURES	90,000 HOURS
77°F (25°C)	0.99
104°F (40°C)	0.96
131°F (55°C)	0.92
140°F (60°C)	0.90

Projected Lumen Maintenance (TM-21)

NOTE: Calculated using data collected according to LM-80 lumen maintenance on the LED package.

GENERAL SPECIFICATIONS

Input Voltage	Auto-sensing, 100-277 Volts AC, 50/60 Hz; Auto-sensing, 300-480 Volts AC, 50/60 Hz	LED Optics	IP65 rated, thermally bonded LEDs, borosilicate glass lens w/silicone sealing. Patented thermal management mounting system
Input Power	52 to 104 Input Watts, 48 to 96 LED Watts	CCT	2700K, 3000K, 3500K, 4000K, or 5000K
Power Factor	> 0.95 (at ~100-277 Volts)	Housing	Extruded aluminum housing, extruded specular aluminum reflectors, LEDs with clear patterned glass optics and Stainless Steel hardware.
THD	Total Harmonic Distortion (THD) <20% (typical 9.9%)	Finish	Powder coated after fabrication
Driver	Integral driver with integrated intelligent controls and integral heat sink	Dimensions	48" Long x 4.8" High x 6" Wide (121.9 x 12.2 x 15.2 cm)
Operating Temperature	-58° F to 149° F (-50° C to 65° C)	Weight	26.4 pounds (12kg)
Lumen Lifetime	L90/90K Hrs @ 60° C (90,000 Hrs with 90% Luminous Flux)		

WARRANTY

Ten (10) Year Warranty - LEDs, Fixture, and Driver shall conform to its published specifications under normal usage and operating conditions including "no light loss" of more than 10% at the end of the period. LEDs will produce at least 90% of their initial light output with no color shift after 90,000 hours of operation.

LISTINGS AND TESTS

cUL listed driver, UL1598, CE, suitable for exterior locations. RoHS compliant. IP65 Rated optical assembly. LM-79 and LM-80 info available. Conforms to FCC Part 15.19 Subpart B Class A. Made in USA - ARRA Compliant.

ORDERING INFORMATION

Example: HS48U-S-XN5096SL-C

Style	Voltage	Mount	Optics	Diffuser	CCT	Watts	Color	Options
HS48 48" High Bay Strip Light	U 100-277 VAC, 50/60 Hz.	S Suspended Eyelets	F - All Forward G - Growlight	A - Polychromatic B - Translucent Acrylic	50 5,000K	48 48W LED, 52W Max	SL Silver	B - Battery Backup
	6 300-480 VAC, 50/60 Hz., Digitally	2K Knuckle Tenon Center	L - All Left N - Narrow	C - High Impact D - Mottled Glass	40 4,000K	72 72W LED, 75W Max	BK Black	C - Digital Management
	S Solar Integrated, DC Only Driver		R - All Right T - Traditional	E - Etched Clear Low FE F - Clear Low FE (Default)	35 3,500K	96 96W LED, 104W Max	BR Brown	D - Dusk-to-Dawn
	N None ¹		U - Wall Wash X - Extra Wide ³	G - Bullet Proof N - For Extra Wide Optics ³	30 3,000K	11030 Lumens at 5,000K	CG Charcoal	F - Dusk-to-Dawn w/ Digital Management
	E 45/48 VDC Driver ²				27 2,700K		BZ Bronze	G - Battery Backup plus Digitally Managed plus Motion and IR
							WH White	M - Motion plus IR Receiver
							X Custom	P - Pigtail, 6' AC Whip, Indoor
								R - IR Receiver Only



¹ Requires remote driver. Consult factory.

² No AC Support.

³ Fixtures featuring Extra Wide Optics use round LEDs in place of linear. Fixture shown also demonstrates built in Motion Plus IR Receiver Option.