

OL2 Series 2x2 Surface Mount

SURFACE MOUNT LIGHTING

300-480V

100-277V

**LM79
LM80**

IP63



PROJECT INFORMATION

Project Name _____

Catalog No. _____

Date _____

DESCRIPTION

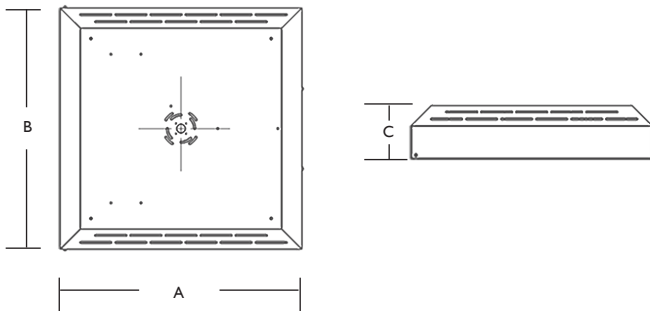
The ActiveLED® OL2 Series 2'x2' Surface Mount with its patented design offers a clean pattern of light, with optional dimming capabilities. Ideal for office, retail and warehouse settings. The OL2 Series 2'x2' Surface Mount consumes 50-85% less energy than conventional lighting. Installation options include new or retrofit lighting.

Applications include: Office, Retail and Warehouse Spaces.



OL2 Series 2x2 Surface Mount

DIMENSIONS



A	B	C
24.16"	24.16"	5.25"
61.3 cm	61.3 cm	13.3 cm

FEATURES

- ActiveREST™ Dimming Technology - Fixture may be automatically dimmed when full light levels are not required. EXAMPLE - Dimming to level 40 equates to less than 9% of actual watts being consumed.
- ThermalDRAW™ Cooling Technology - Patented cooling technology ensures LED components will equal or exceed warranty.
- LightSpace® Lighting Controls - Fixture is capable of being programmed and controlled either individually or as part of a lighting zone via remote sensors, switches or building management system (BMS).
- Battery Backup Enabled - This option provides 48V DC support for an Emergency Battery Backup Unit (BBU sold separately) creating an Emergency LED Light Fixture.
- Surge Protection - Fixture has built-in surge protection, or in the case where the driver is located remotely, the surge protector is sold with the remote surge protector.
- Warranty - 10 Year Warranty on LED elements, fixture housing, and LED Driver. See page 2 for additional warranty information.

LIGHT OUTPUT

4,341 lm

WATTS

49 W

LUMENS per WATT

88.6 lm/W

LIGHT COLOR (CCT)

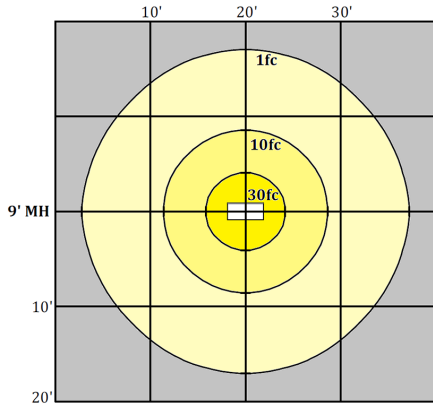
5000 K

ActiveLED®
Energy Efficient Lighting and Controls

NOTE: Lighting Facts shown for OL2, 48W only.
For more Lighting Facts, visit lightingfacts.com for the Label and Label Reference Guide.



PHOTOMETRICS



PERFORMANCE DATA

AMBIENT TEMPERATURES	0 HOURS	45,000 HOURS	90,000 HOURS
77°F (25°C)	1.00	0.99	0.99
104°F (40°C)	1.00	0.98	0.96
131°F (55°C)	1.00	0.96	0.92
140°F (60°C)	1.00	0.95	0.90

Projected Lumen Maintenance (TM-21)

NOTE: Calculated using data collected according to LM-80 lumen maintenance on the LED package.

NOTE: Photometrics shown for OL4 Series, 96W only. Contact company for photometrics on other sizes.

GENERAL SPECIFICATIONS

Input Voltage	Auto-sensing, 100-277 Volts AC, 50/60 Hz; Auto-sensing, 300-480 Volts AC, 50/60 Hz	LED Optics	IP63 rated, heat sink, thermally bonded LEDs, and patented thermal management mounting system
Input Power	12, 24, 36, 48 and 72 Input Watts 14, 26, 38, 50 and 75 LED Watts	CCT	2700K, 3000K, 3500K, 4000K, or 5000K
Power Factor	> 0.91 (at ~100-277 Volts)	Housing	Fabricated aluminum .063 thickness for heat sinking parts, electroplated galvanized steel for the pan, stainless steel hardware
THD	Total Harmonic Distortion (THD) <20% (typical 9.9%)	Finish	Powder coated after fabrication
Driver	Integral driver with aluminum housing, integrated intelligent controls and integral heat sink	Dimensions	24.16" Wide x 24.16" Long x 5.25" High (61.3cm x 61.3cm x 13.3cm)
Operating Temperature	-58° F to 149° F (-50° C to 65° C)	Weight	13 pounds (5.9kg)
Lumen Lifetime	L90/90K Hrs @ 60° C (90,000 Hrs with 90% Luminous Flux)		

WARRANTY

Ten (10) Year Warranty - LEDs, Fixture, and Driver shall conform to its published specifications under normal usage and operating conditions including "no light loss" of more than 10% at the end of the period. LEDs will produce at least 90% of their initial light output with no color shift after 90,000 hours of operation.

LISTINGS AND TESTS

cUL listed driver, CE, suitable for covered exterior locations. RoHS compliant. IP63 Rated optical assembly. LM-79 and LM-80 info available. Conforms to FCC Part 15.19 Subpart B Class A. Made in USA - ARRA Compliant.

ORDERING INFORMATION

Example: OL2U-ST-B5OR36WH

Style	Voltage	Mount	Diffuser	CCT	Watts	Color	Options
OL2 2X2 Surface Linear	U - 100-277 VAC, 50/60 Hz. Auto Sensing	ST Surface Traditional	A Polychromatic Diffuser	50 5,000K	R12 12W LED, 14W Max (1063 Lumens)	WH White	B Battery Backup Enabled
	6 - 300-480 VAC, 50/60 Hz., Auto Sensing	STE Surface Traditional Emergency	B Translucent Diffuser	40 4,000K	R24 24W LED, 26W Max (2126 Lumens)	BK Black	P Pigtail, 6' AC Whip
	N - None ¹	(Universal Driver Only)	H Damp/Splash Proof Diffuser	35 3,500K	R36 36W LED, 38W Max (3189 Lumens)	BR Brown	
	E - 45/48 VDC Driver ²		K Clear Acrylic	30 3,000K	R48 48W LED, 50W Max (4252 Lumens)	BZ Bronze	
				27 2,700K	R72 72W LED, 74W Max (6379 Lumens)	CG Charcoal	
						SL Silver	
						X Custom	

¹ Requires remote driver. Consult factory.

² No AC Support.